

Design proposals for rooms

By
Steffen Petersen, PhD candidate
BYG.DTU
September 2007

Index

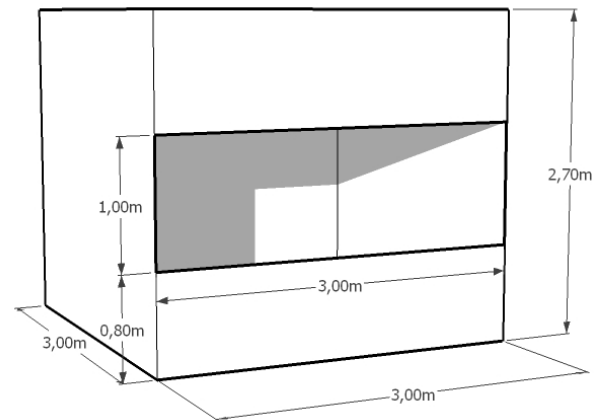
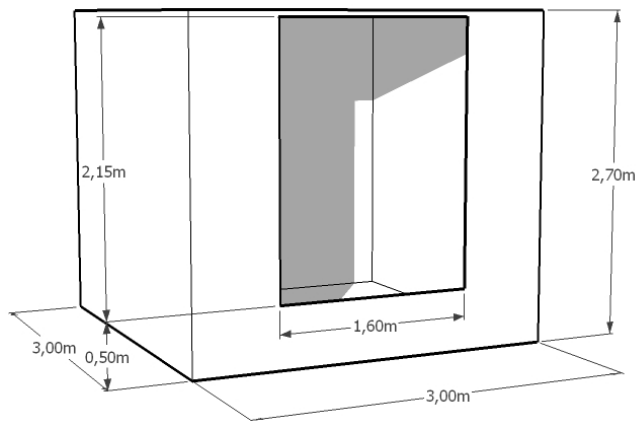
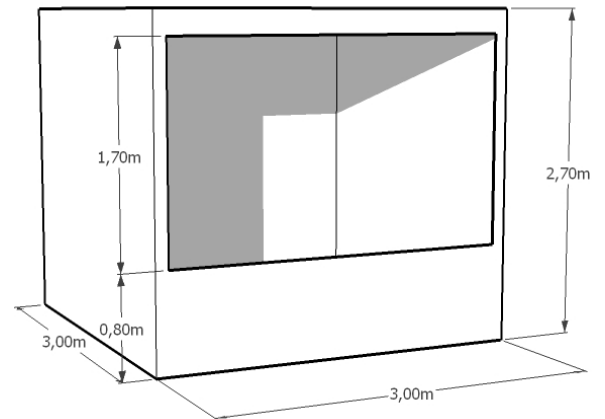
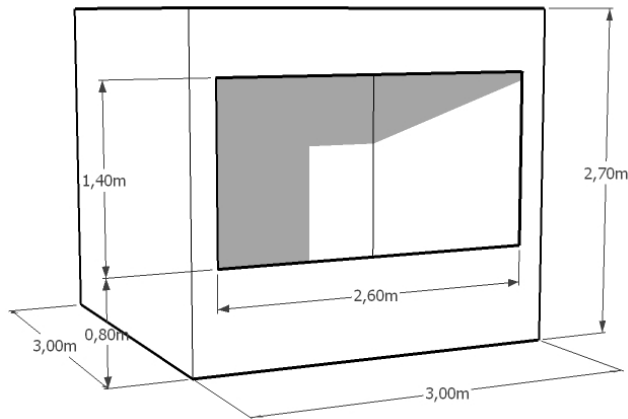
1	Introduction.....	3
2	South-facing rooms	4
	2.1 Single offices	4
	2.2 2-person offices.....	5
	2.3 Landscape offices.....	6
3	North-facing rooms.....	7
	3.1 Single offices	7
	3.2 2-person offices.....	8
	3.3 Landscape offices.....	9
4	East/west-facing rooms.....	10
	4.1 Single offices	10
	4.2 2-person offices.....	11
	4.3 Landscape offices.....	12
5	Examples of total building designs	13

1 Introduction

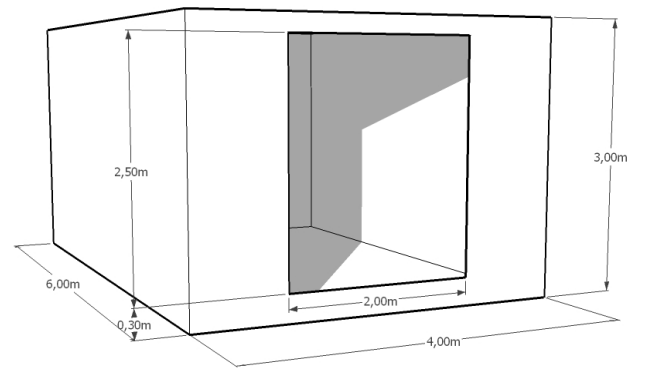
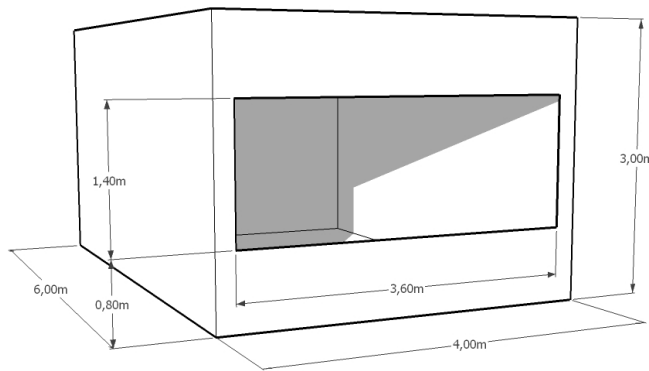
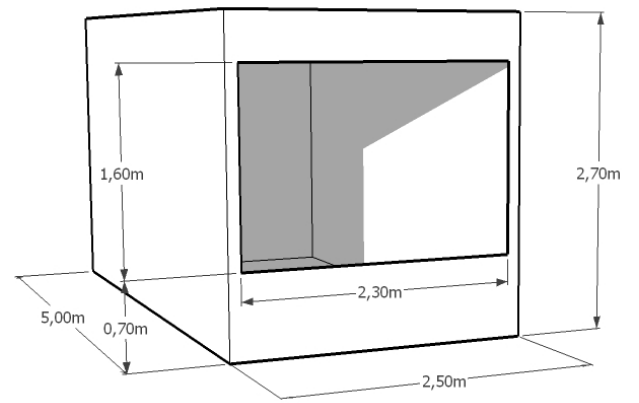
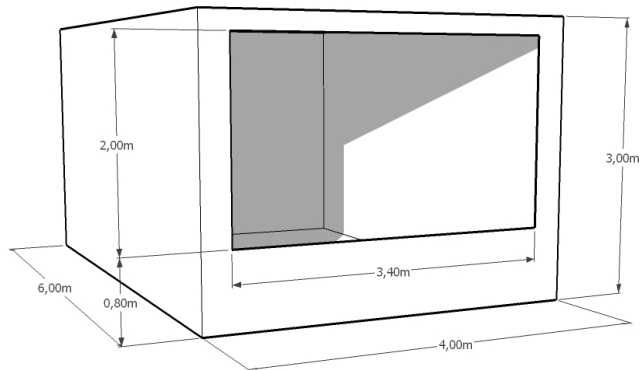
This note contains a number of design proposals for rooms. The rooms and sections are fulfilling low energy class II according to the danish building regulations and indoor environment class II according to prEN 15251. Sections can be made by any combinations of the rooms. The rooms (and sections) may be combined in to total building designs.

2 South-facing rooms

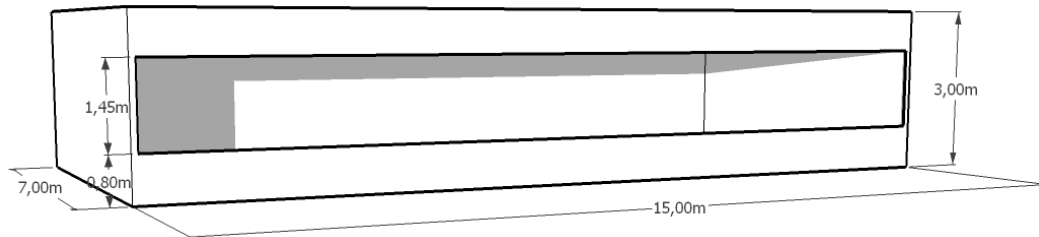
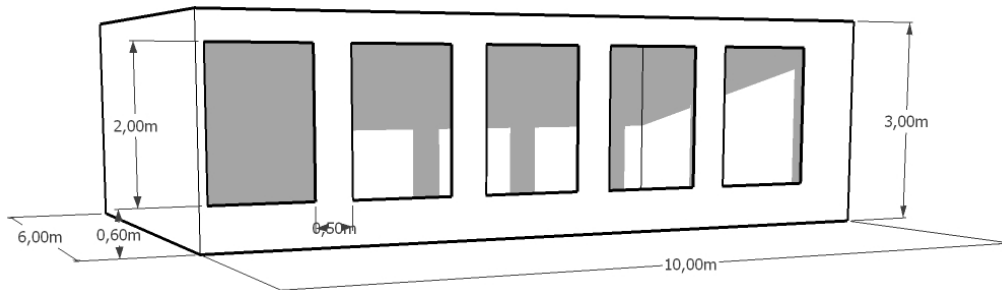
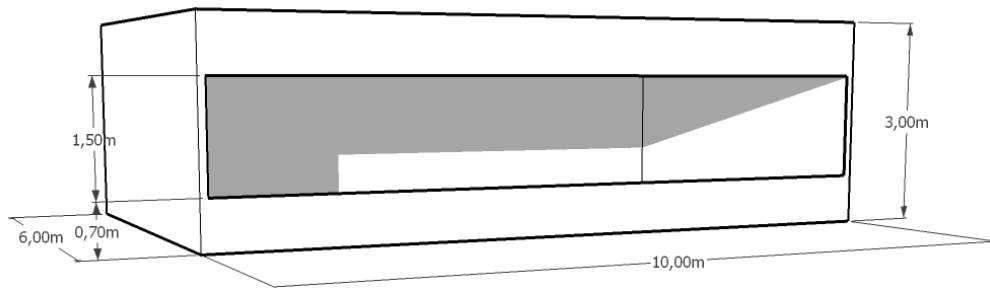
2.1 Single offices



2.2 2-person offices

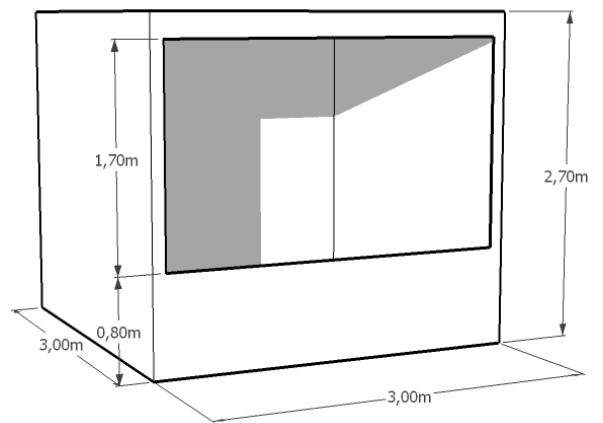
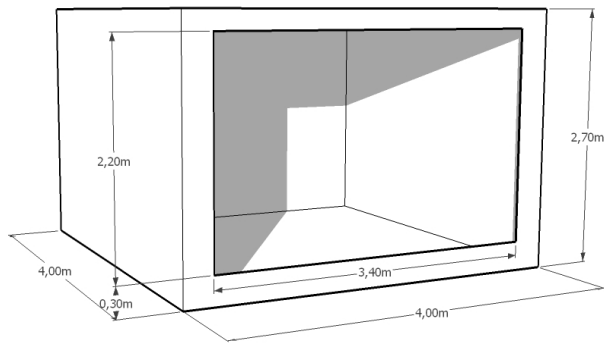
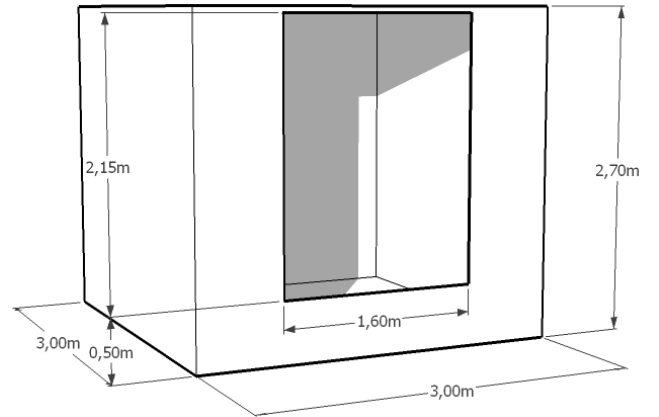
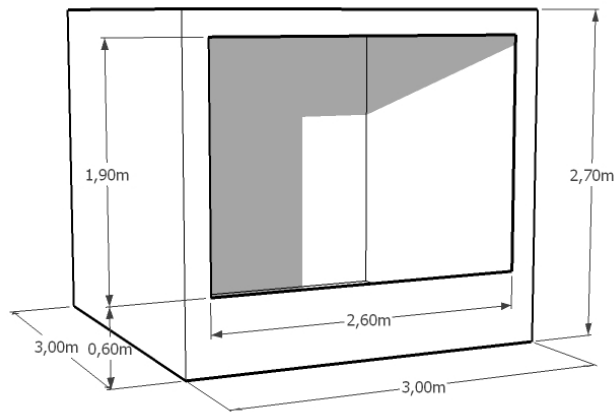


2.3 Landscape offices

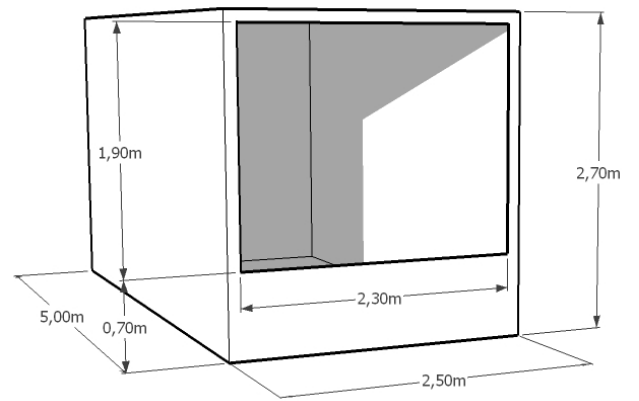
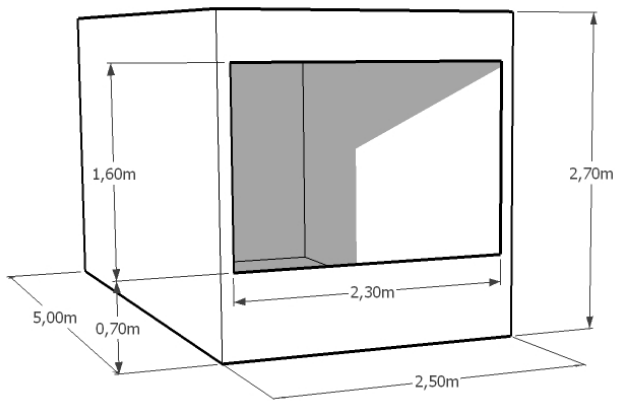
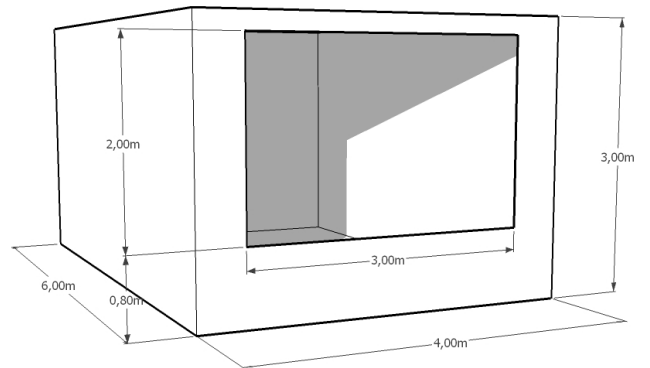
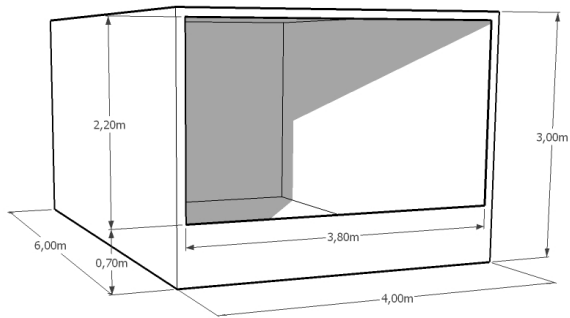


3 North-facing rooms

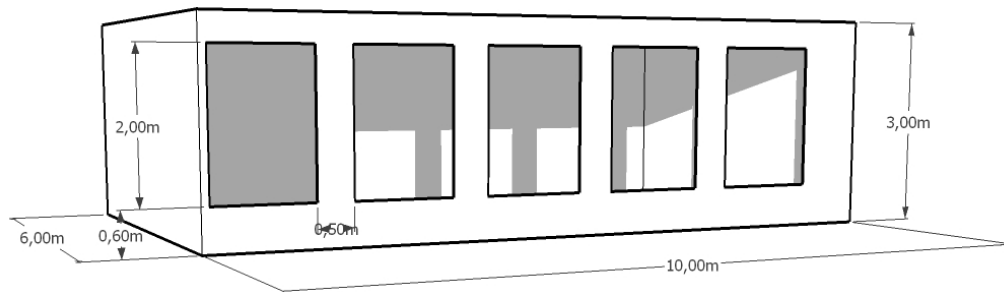
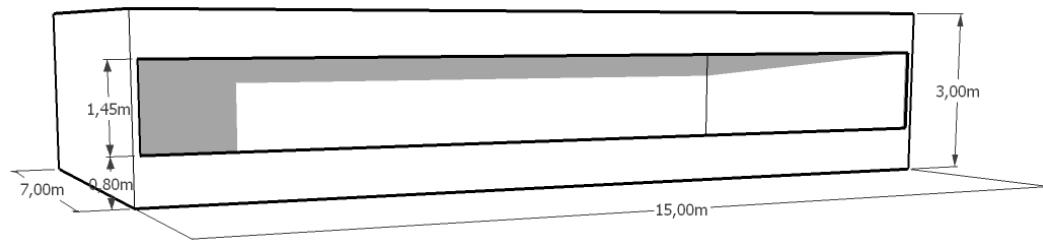
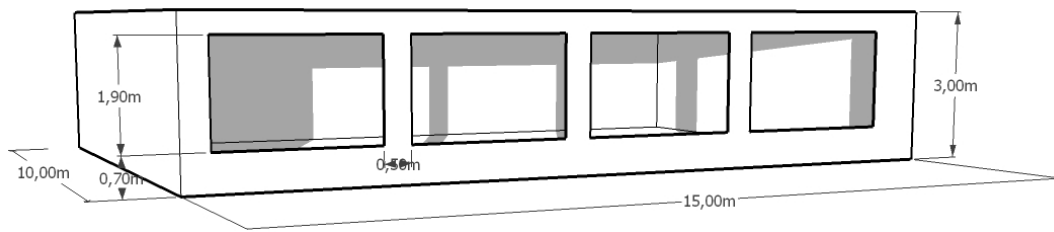
3.1 Single offices



3.2 2-person offices

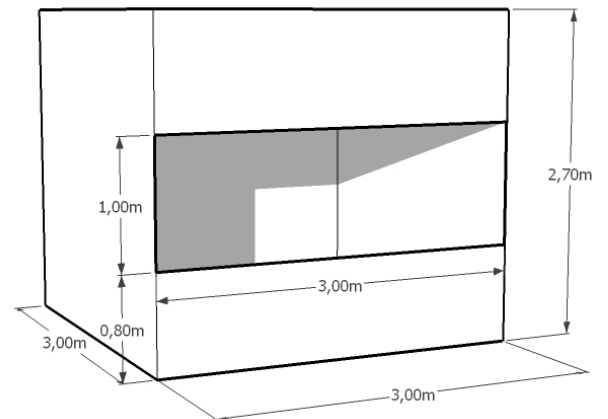
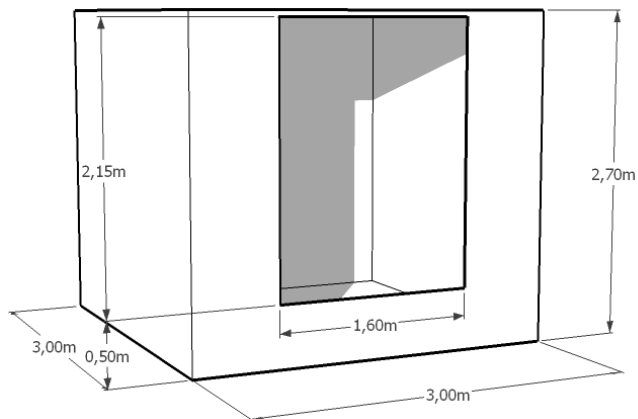
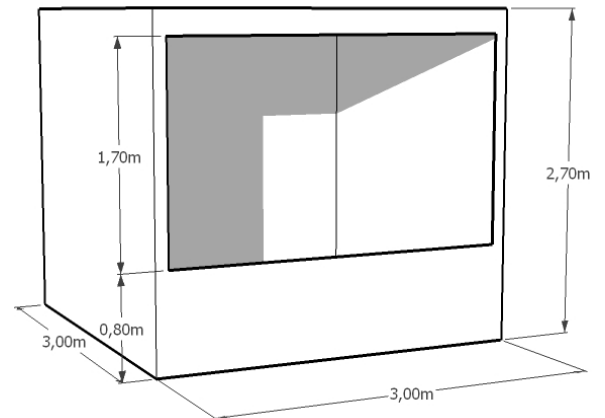
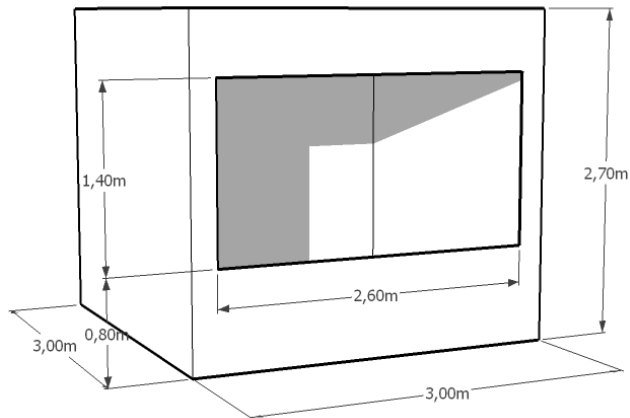


3.3 Landscape offices

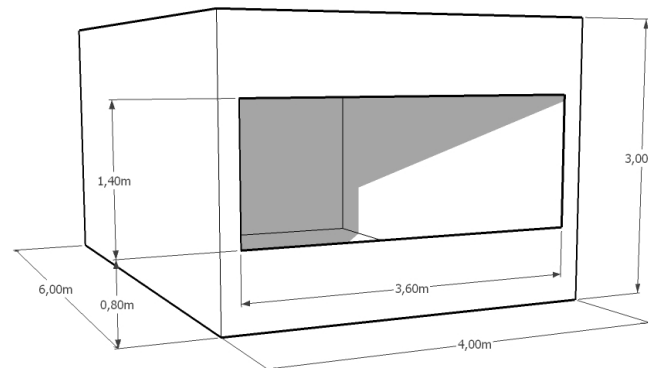
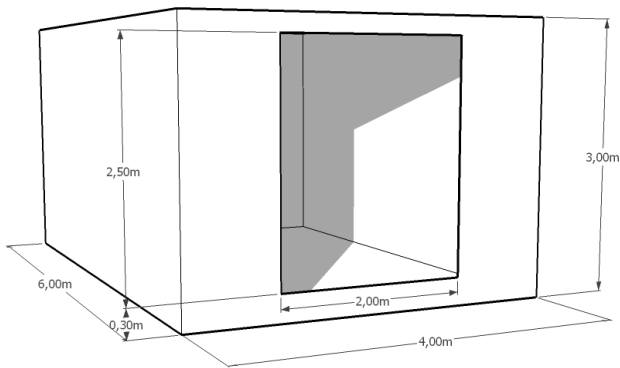
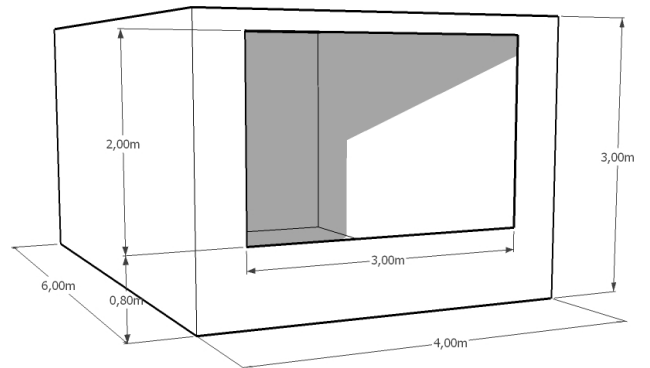
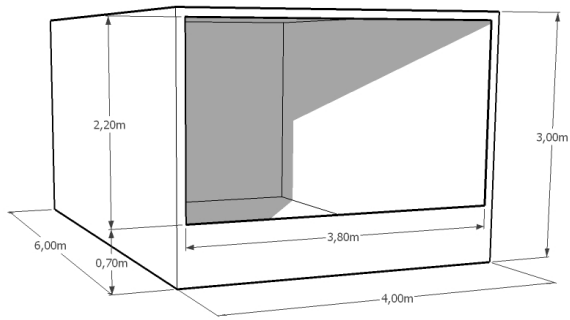


4 East/west-facing rooms

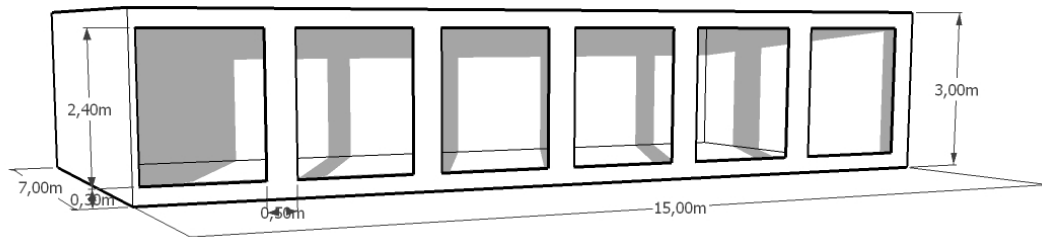
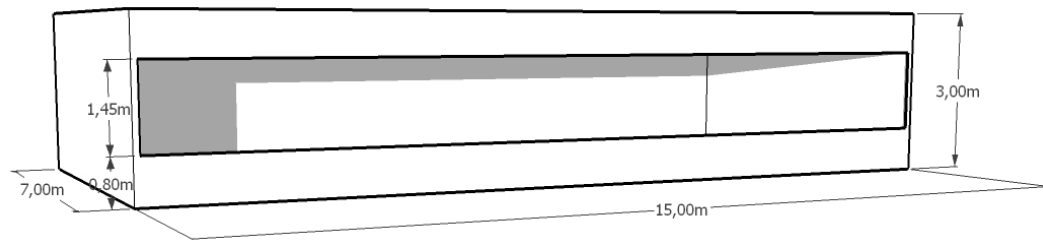
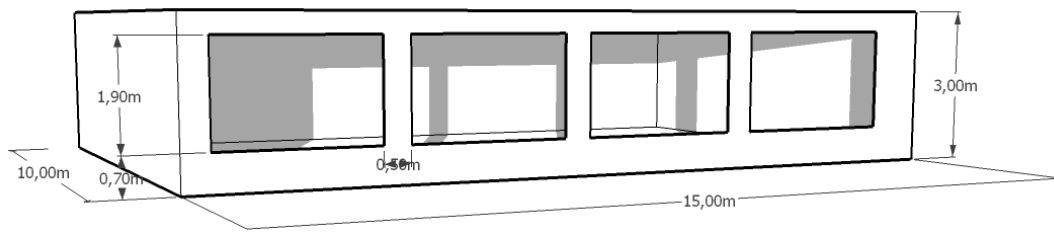
4.1 Single offices



4.2 2-person offices



4.3 Landscape offices



5 Examples of total building designs

